

# HSF

**NOTES:**

Current Rating:8A  
 Voltage Rating:300V  
 Contact Resistance:8milliohm Max  
 Withstand Voltage:AC2000V  
 Insulation Resistance:1000Megohm Min  
 Operation Temperature:-40°C to +105°C

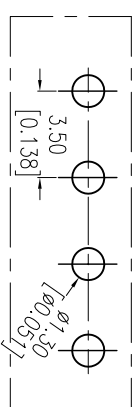
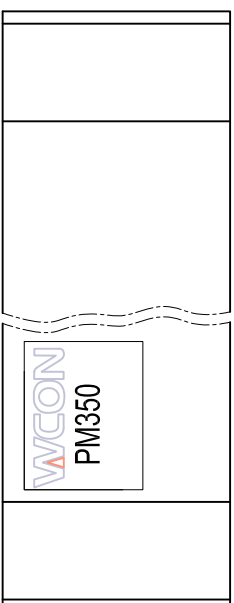
Housing Material:PA66+30%GF(UL94V-0)  $\Delta$   
 Contact Material:Brass  
 Inlay Material:Brass

**Ordering Information:**

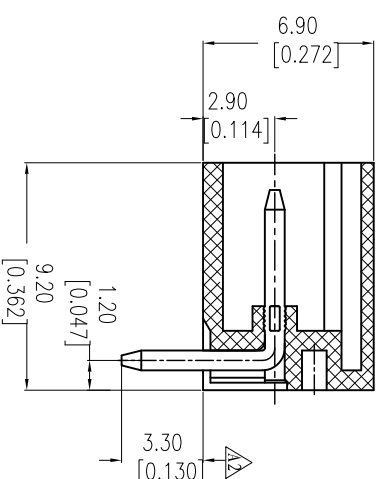
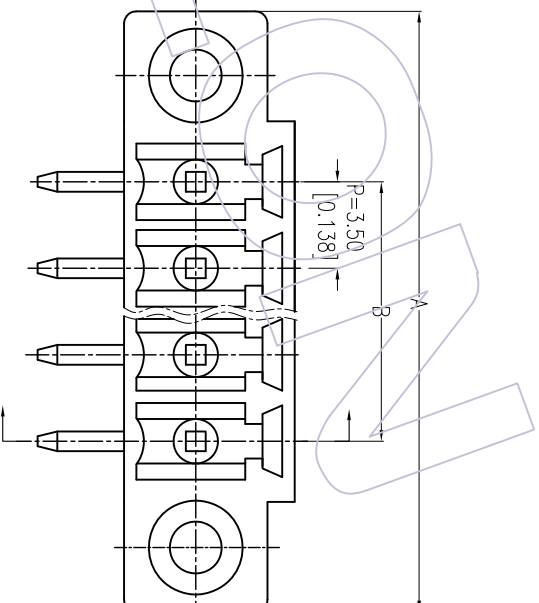
P M 350 - 1 R XX A SM 2  
 M=Male Pitch 350=3.50  
 No. of Pins 02=20P Color A=Green SM=Matte Tin  
 Contact Plated Series No.

11P	48.80 ±0.30	35.00 ±0.30			
10P	45.30 ±0.30	31.50 ±0.30	20P	80.30 ±0.40	66.50 ±0.40
9P	41.80 ±0.30	28.00 ±0.30	19P	76.80 ±0.40	63.00 ±0.40
8P	38.30 ±0.20	24.50 ±0.20	18P	73.30 ±0.40	59.50 ±0.40
7P	34.80 ±0.20	21.00 ±0.20	17P	69.80 ±0.40	56.00 ±0.40
6P	31.30 ±0.20	17.50 ±0.20	16P	66.30 ±0.40	52.50 ±0.40
5P	27.80 ±0.20	14.00 ±0.20	15P	62.80 ±0.40	49.00 ±0.40
4P	24.30 ±0.20	10.50 ±0.20	14P	59.30 ±0.30	45.50 ±0.30
3P	20.80 ±0.20	7.00 ±0.20	13P	55.80 ±0.30	42.00 ±0.30
2P	17.30 ±0.20	3.50 ±0.10	12P	52.30 ±0.30	38.50 ±0.30
PIN	A	B	PIN	A	B

ITEM	Pitch	Mating
Standard	3.50	PF350
Alternate		



Recommended P.C.B Layout (Top Side)  
 (PCB BOARD TOLERANCE±0.05)



A3	2013/06/05	Modify The Housing Material	$\Delta$	OPERATION	DRAW	PART NO.	PM350-1RXXASM2 $\Delta$	WCON-Dongguan Http: www.wcon.com	WCON-Kunshan Tel: +86 512 57468408
A2	2013/04/24	Modify The Dimension 3.50 To 3.30	$\Delta$	XX $\pm 0.40$	TsingSn	DATE			
A1	2012/05/09	MODIFY PF350-03-XX-A-SM → PM350-1RXXASM2	$\Delta$	X.XX $\pm 0.25$	CHECK	CHECK	DATE	UNIT	mm
A0	2011/06/07	NEW		X.XXX $\pm 0.15$	APPROVE	DATE		SIZE	A4
REV	DATE	MODIFICATION DESCRIPTION	CHANGE	Angle $\pm 3'$	DIM	TOL	SHEET	1/1	PROJ.
1							Customer NO.		

# WCON

3.50mm Pitch Male  
 Pluggable Terminal Blocks

WCON-Dongguan  
 Tel: +86 769 85358920  
 Fax: +86 769 85358915  
 E-mail: sales@wcon.com

WCON-Kunshan  
 Tel: +86 512 57468408  
 Fax: +86 512 57468468  
 E-mail: sales@wcon.com